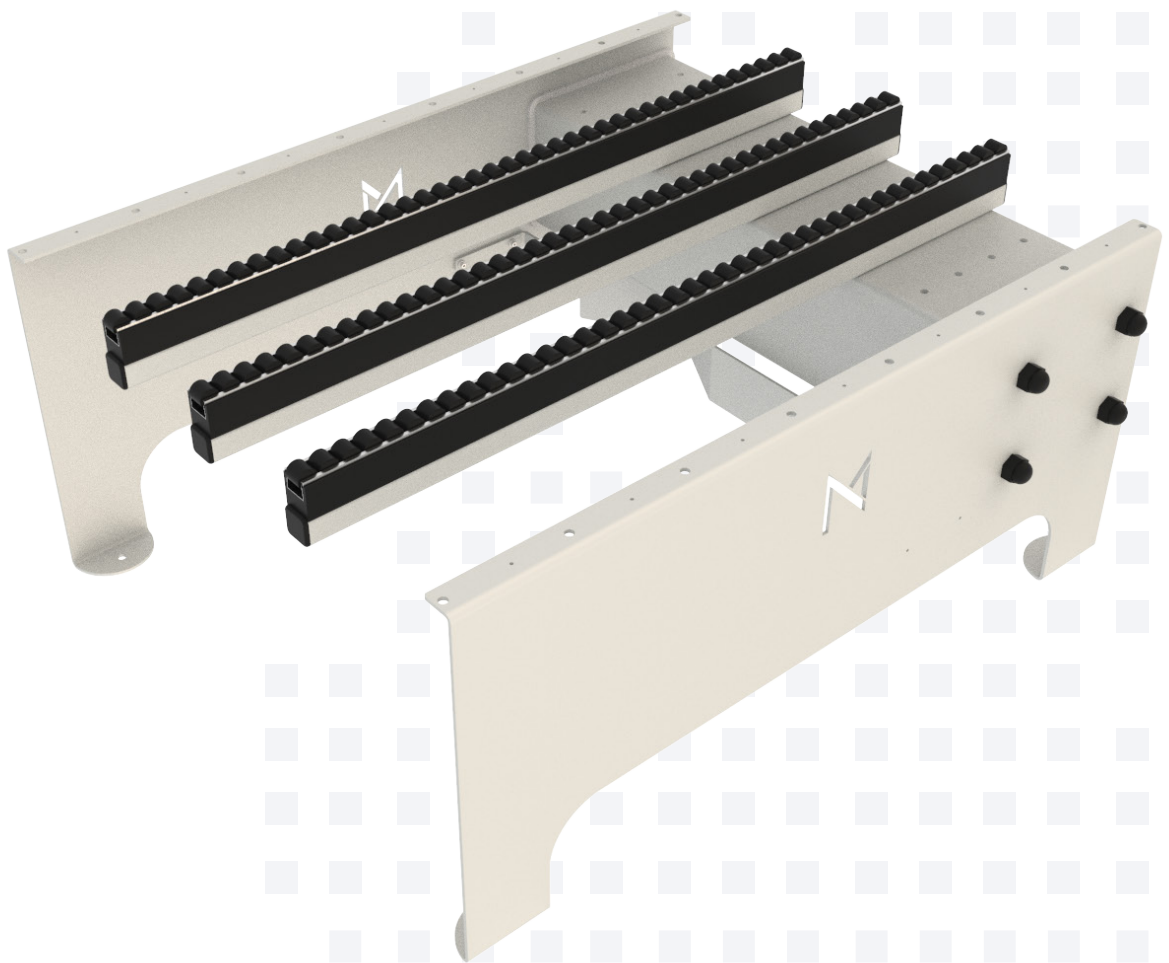


**M Nord Modules™**

**WG153**

Wheel Gate



- BASIC -

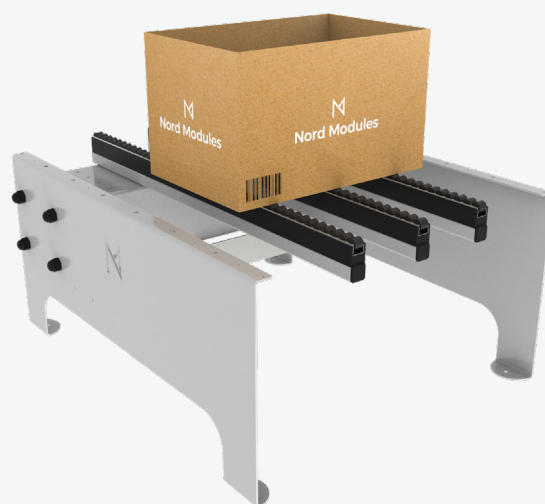
# WG153

Distributor

Nord Modules produces standard modules in industrial quality for automated productions. Our Wheel Gate WG153 merges with our TM153 installed on the mobile robot to receive or deliver an object, connecting the mobile robot with production lines. An integrated stop function and manually controlled wheels on the gate make it easy for employees or the mobile robot to push for example boxes to the pickup point or further into the production line.

## Your key benefits

- Simple and fast assembly process - providing a complete solution in combination with our TM153
- The robust design of the module opens up the possibility of mounting smaller collaborative robots
- Safe transportation due to adjustable brake plates, designed to always ensure the optimal and secure placement of the object on the gate
- Optimizing internal logistics by receiving or holding heavy payloads of up to 153kg/ 338lbs, freeing staff from handling heavy items



## Technical specifications

Parameters	Information
Gate dimensions	1150 x 918 x 545 mm 45" x 36" x 21" (LWH)
Handling capacity	MiR100: 53 kg   117 lbs MiR200: 153 kg   337 lbs
Drop off & pick up area:	800 x 600 mm   31" x 24"
Centre distance between the arms	192 mm   7.6"
Colour	RAL 7035
Series	BASIC (3 fingers - suitable for TM153)