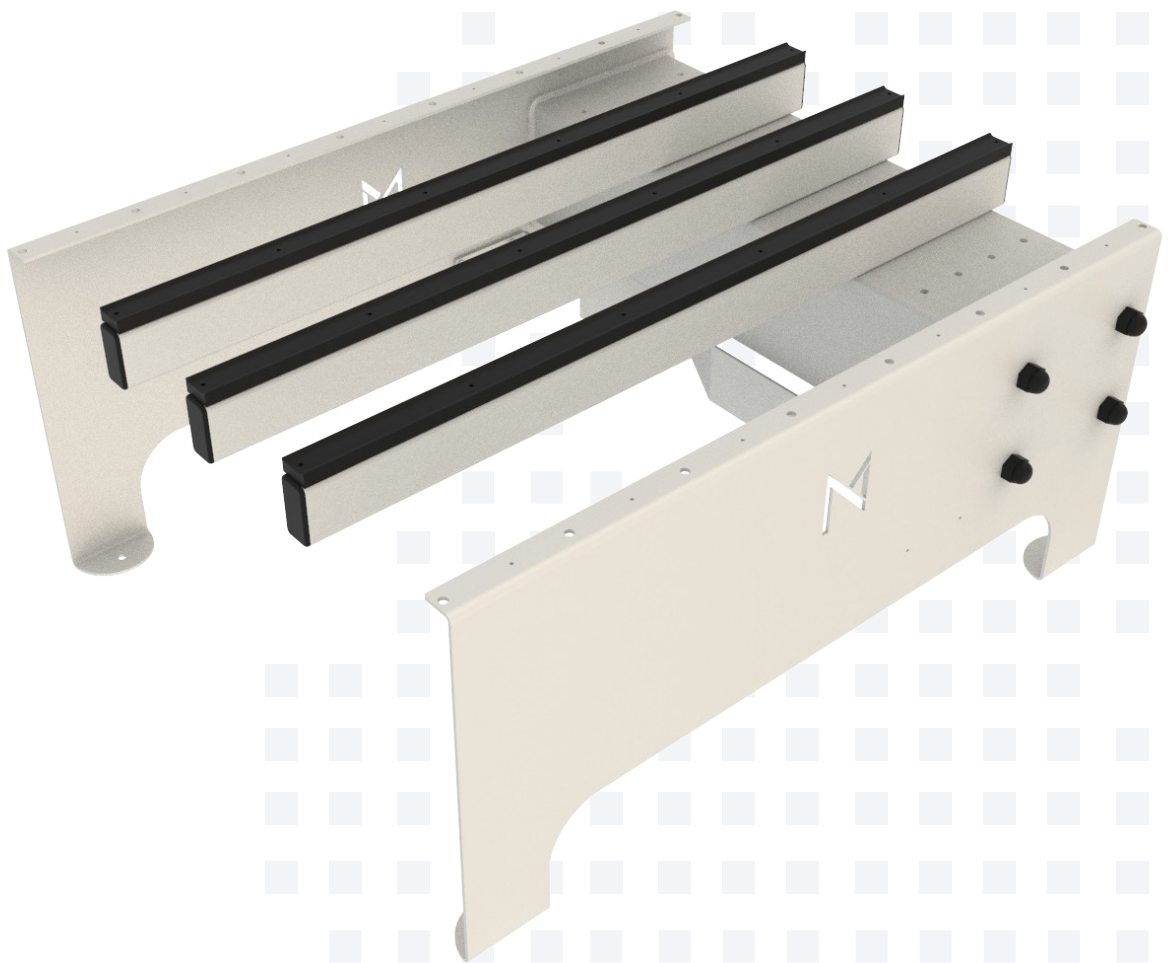


 **Nord Modules**TM

SG153

Solid Gate



- BASIC -

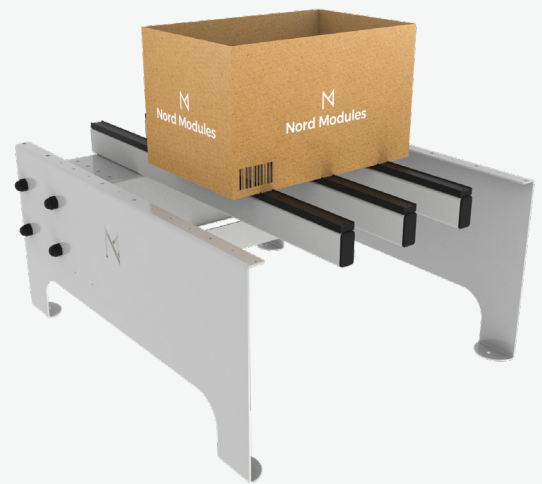
SG153

Distributor

Nord Modules produces standard modules in industrial quality for automated productions. Our Solid Gate SG153 merges with our TM153 installed on the mobile robot MiR100 or MiR200 to receive or hold an object, connecting the mobile robot with production lines and storage systems. It is designed as a basic standard modul which can serve as e.g. a flexible pick-up point or simply adjust to specialised work processes.

Your key benefits

- Simple and fast assembly process - providing a complete solution in combination with our TM153
- The robust design of the module opens up the possibility of mounting smaller collaborative robots
- Safe design for all industries - discharges any potentially electrically charged objects due to antistatic & oil-treated PEHD1000
- Optimizing internal logistics by receiving or holding heavy payloads of up to 153kg/ 338lbs, freeing staff from handling heavy items



Technical specifications

Parameters	Information
Gate dimensions	1150 x 918 x 545 mm 45" x 36" x 21" (LWH)
Handling capacity	MiR100: 53 kg 117 lbs MiR200: 153 kg 337 lbs
Drop off & pick up area:	800 x 600 mm 31" x 24"
Centre distance between the arms	192 mm 7.6"
Colour	RAL 7035
Series	BASIC (3 fingers - suitable for TM153)