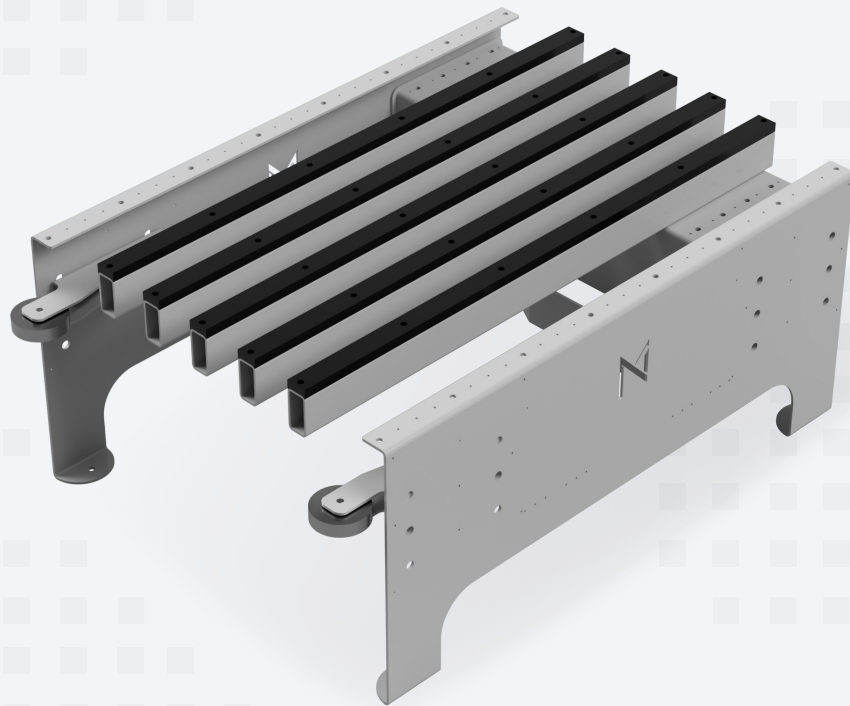


 Nord Modules™

# SG150

Solid Gate

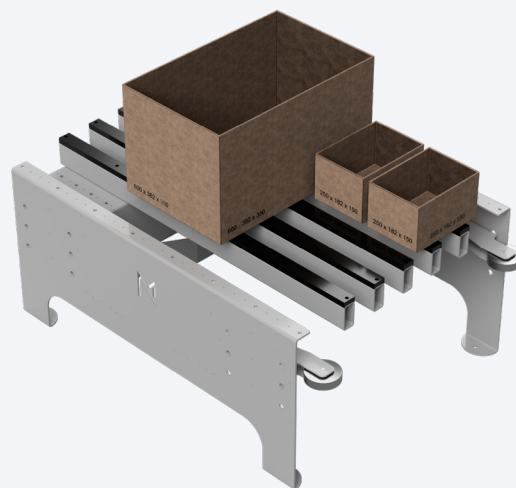


# SG150

Nord Modules produces standard modules in industrial quality for automated productions. Our Solid Gate SG150 merges with our TM150 installed on the mobile robot MiR100 or MiR200 to receive an object, connecting the mobile robot with production lines. It is designed as a basic standard gate which can serve as e.g. a flexible pick-up point for mobile robots. By installing customer specific equipment it can simply adjust to specialised work processes.

## Your key benefits

- Easy extension of module functionality by installing customer-specific equipment directly on the gate e.g. robot arms, lifts, etc.
- Flexible standard gate - no need to change internal work-flows or the facility as such
- Simple and fast assembly process - providing a complete solution in combination with our TM150
- Safe design for all industries - discharges any potentially electrically charged objects due to antistatic & oil-treated PEHD1000
- Efficient automation - receiving payloads of up to 153 kg / 338 lbs, freeing staff resources for higher value activities



## Technical specifications

### Parameters

Gate dimensions

Handling capacity

Drop off & pick up area:

Centre distance between the arms

Colour

### Information

1150 x 866 x 545 mm

45 x 34 x 21 in

153 kg | 337 lbs

800 x 600 mm | 31 x 24 in

116 mm | 4.6 in

RAL 7035