

KEY FEATURES

- ✓ Quickly change of tools, flange standard ISO 9409-1, type 50-4-M6
- ✓ Optimized for collaborative applications
- ✓ 10 kg rated payload
- ✓ Patented reliable and easy-to-use locking mechanism
- ✓ Redundant locking structure and locking springs

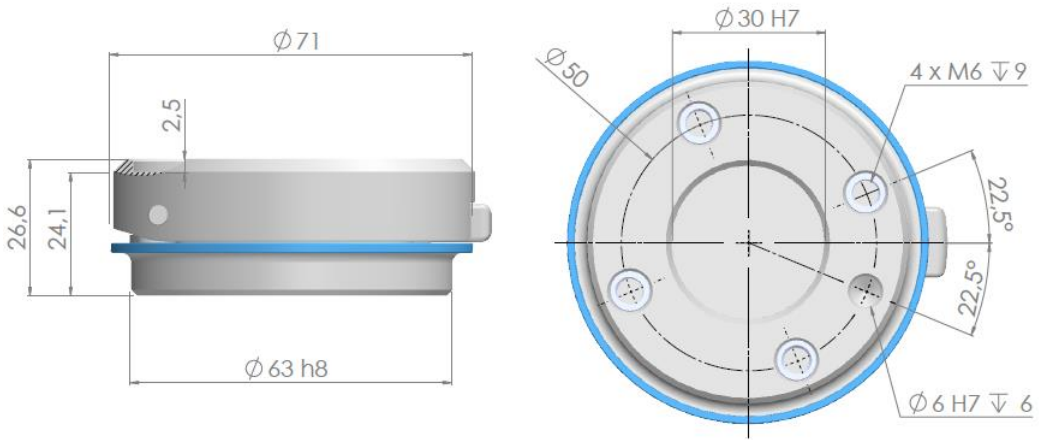


TECHNICAL SPECIFICATIONS

Technical data	Min	Typical	Max	Units
Permissible force	-	-	400*	[N]
Permissible torque	-	-	50*	[Nm]
Rated payload	-	-	10	[kg]
	-	-	22	[lbs]
Weight (robot-part)	-	0.062	-	[kg]
	-	0.137	-	[lbs]
Weight (tool-part)	-	0.140	-	[kg]
	-	0.308	-	[lbs]
Combined weight	-	0.202	-	[kg]
	-	0.445	-	[lbs]
Combined height	-	24.10	-	[mm]
	-	0.95	-	[in]
Angle difference	-	22.5	-	[Deg.]
	-	0.3927	-	[Rad.]
Repeatability	-	-	±0.02	[mm]
Tool change	-	5.000	-	[cycles]
Robot operation	10	-	-	[M cycles]
Permissible force	-	-	400*	[N]

* See Load Capacity graph in next page

MECHANICAL DIMENSIONS



LOAD CAPACITY

